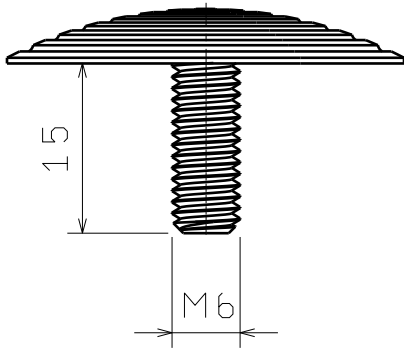
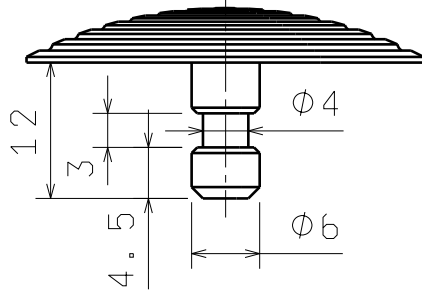


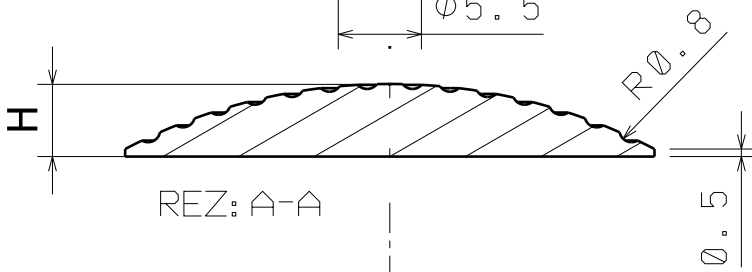
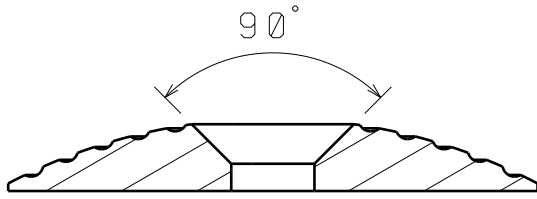
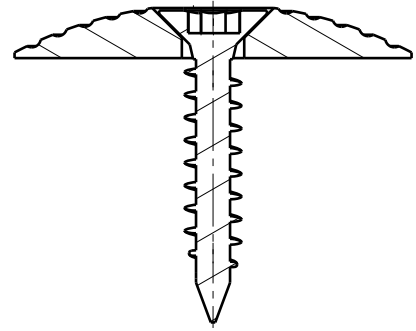
**BODOVANÝ KOLIK**



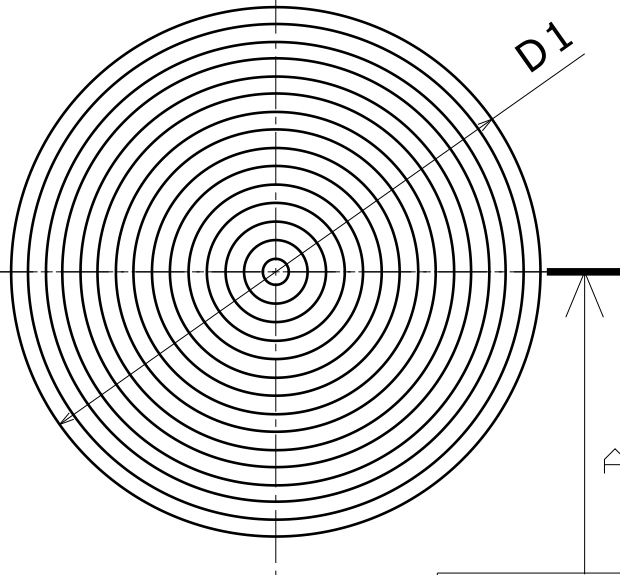
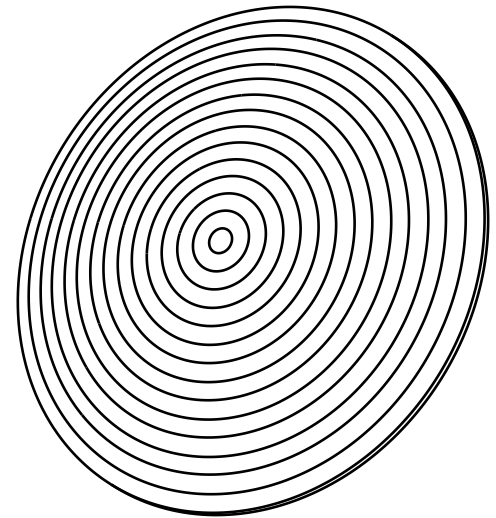
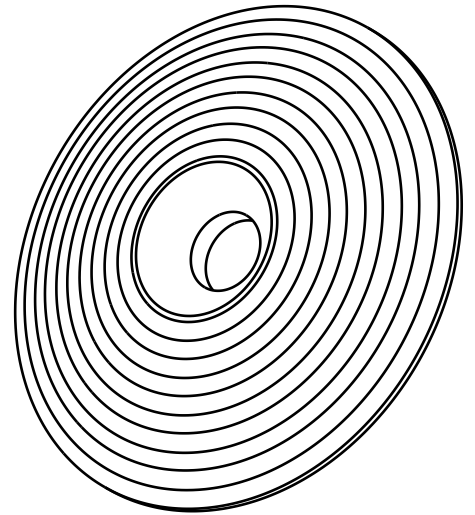
**MONOLITNY KOLIK**



**ZAVRTANIE PRE SKRUTKY**



REZ: A-A



<b>D1</b>	<b>H-1,5</b>	<b>H-3</b>	<b>H-3,5</b>	<b>H-4</b>	<b>H-4,5</b>	<b>H-5</b>
15						
25						
30						
35						
50						

SIZE  
A4



**OLEJAR**  
safety

DESIGNED BY

DATE

20. 4. 2020

**K1R**

**OL-20-05-17-120**

D

A